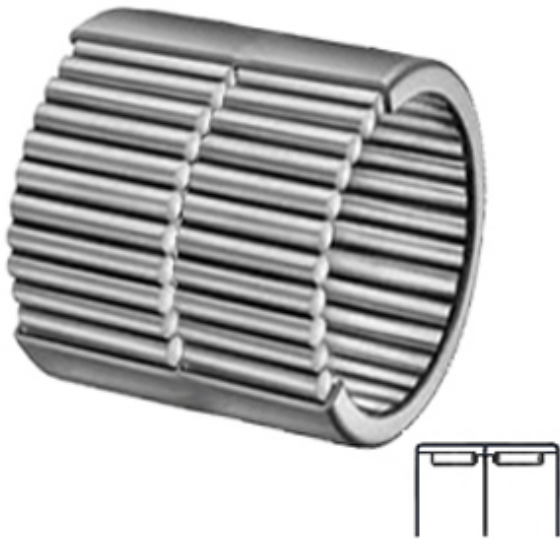




NTN Bearing de Mexico, S.A.



GR 124 Bearing 2D drawings and 3D CAD models

7.75 Inch | 196.85 Millimeter x 9.625 Inch |
 244.475 Millimeter x 3 Inch | 76.2 Millimeter
 MCGILL GR 124 Needle Non Thrust Roller
 Bearings

Bearing No. GR 124

Category	Needle Non Thrust Roller Bearings
Inventory	0.0
Manufacturer Name	REGAL BELOIT
Minimum Buy Quantity	N/A
Weight	8.245
EAN	0726166063719
Product Group	B04144
Rolling Element	Needle Roller Bearing
Component	Roller Assembly with Outer Ring - No Inner Ring
Enclosure	Open
Self Aligning	No
Retainer	No
Number of Rows of Rollers	Double Row
Separable	No
Closed End	No
Inch - Metric	Inch
Relubricatable	Yes
Thrust Bearing	No
Long Description	7-3/4" Bore; 9-5/8" Outside Diameter; 3" Width; Needle Roller Bearing; Roller Assembly with Outer Ring - No Inner Ring; Open Enclosure; No Self Aligning;



NTN Bearing de Mexico, S.A.

	No Retainer; Double Row of Roll
Other Features	1 Rib Outer Ring Full Complement Heavy Duty Oil Hole
Category	Needle Non Thrust Roller Bearing
UNSPSC	31171512
Harmonized Tariff Code	8482.40.00.00
Noun	Bearing
Keyword String	Needle
Manufacturer URL	http://www.emerson-ept.com
Manufacturer Item Number	GR-124
Manufacturer Internal Number	5012400000
Weight / LBS	18.16
d	7.75 Inch 196.85 Millimeter
D	9.625 Inch 244.475 Millimeter
B	3 Inch 76.2 Millimeter